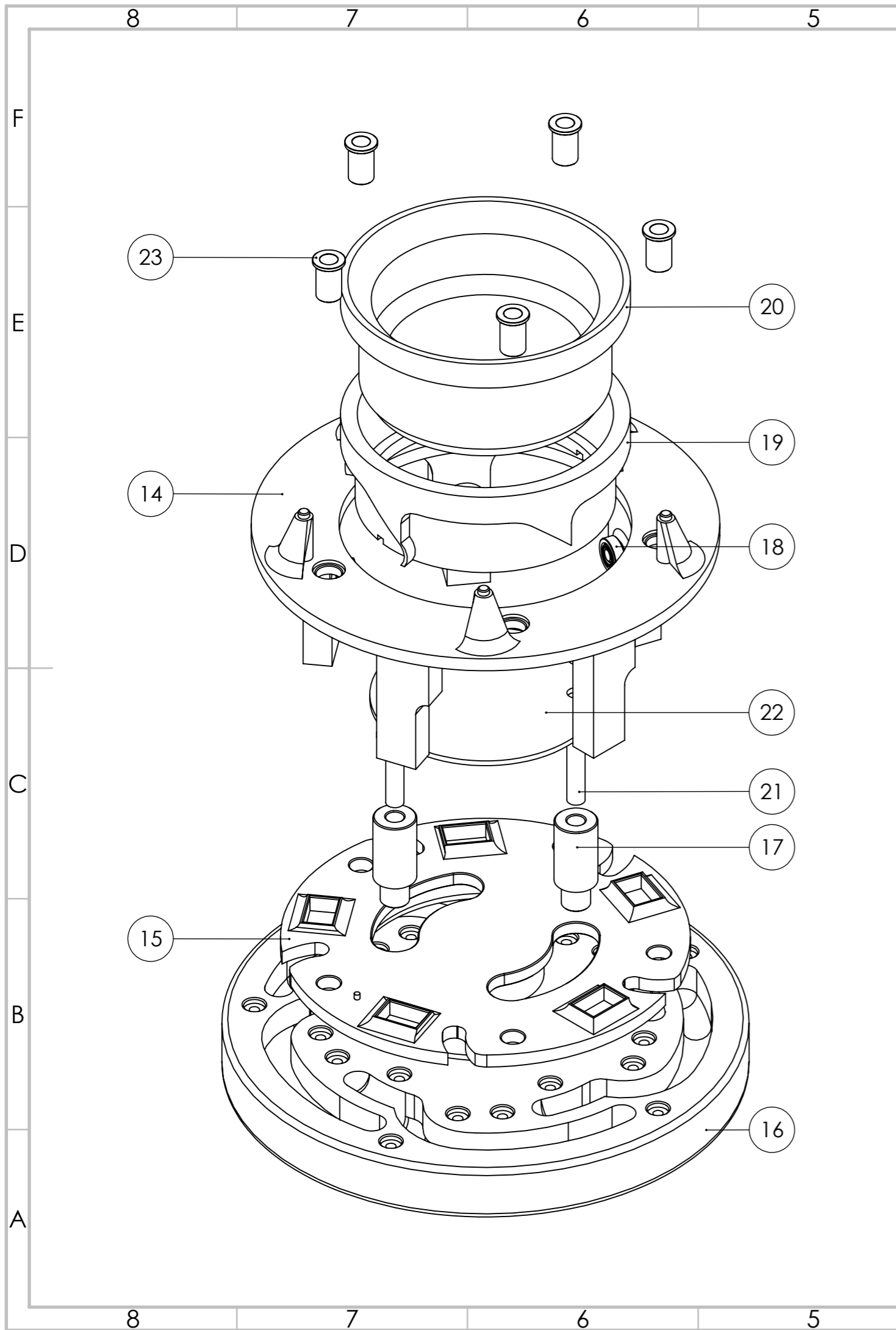
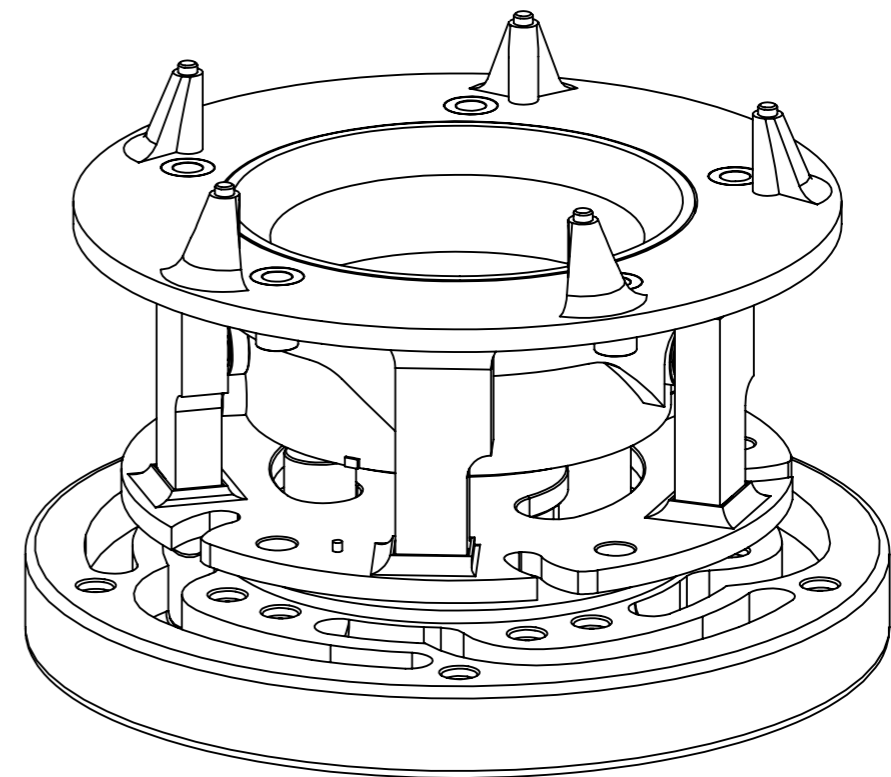


| ITEM NO. | PART NUMBER | DESCRIPTION | QTY. |
|----------|----------------------------|----------------------------------|------|
| 1 | Bottom | | 1 |
| 2 | Alignment Block for Magnet | | 2 |
| 3 | Alignment Block | | 3 |
| 4 | Side Panel | | 4 |
| 5 | Removable Panel | | 1 |
| 6 | Top Panel | | 1 |
| 7 | Middle Bearing Support | | 1 |
| 8 | Bearing Mount Tool | | 5 |
| 9 | 57155K357 | Stainless Steel Ball Bearing | 5 |
| 10 | 91309A624 | Zinc-Plated Steel Hex Head Screw | 5 |
| 11 | 92929A227 | Nylon Slotted Flat Head Screws | 5 |
| 12 | 90490A031 | Low-Strength Steel Hex Nut | 5 |
| 13 | 94909A029 | Thread-Forming Locknut | 5 |

| | | | | | | | | | | | |
|---|--|--|---------|--|------------------------------------|--|----------------------|--|----------|--|--|
| UNLESS OTHERWISE SPECIFIED: DIMENSIONS ARE IN MILLIMETERS SURFACE FINISH: TOLERANCES: LINEAR: ANGULAR: | | | FINISH: | | DEBURR AND BREAK SHARP EDGES | | DO NOT SCALE DRAWING | | REVISION | | |
| DRAWN | | | | | | TITLE: | | | | | |
| CHK'D | | | | | | DWG NO. Full Box Assembly ^{A3} SCALE:1:10 SHEET 1 OF 1 | | | | | |
| APPV'D | | | | | | | | | | | |
| MFG | | | | | | | | | | | |
| Q.A | | | | | | | | | | | |
| MATERIAL: | | | | | | WEIGHT: | | | | | |

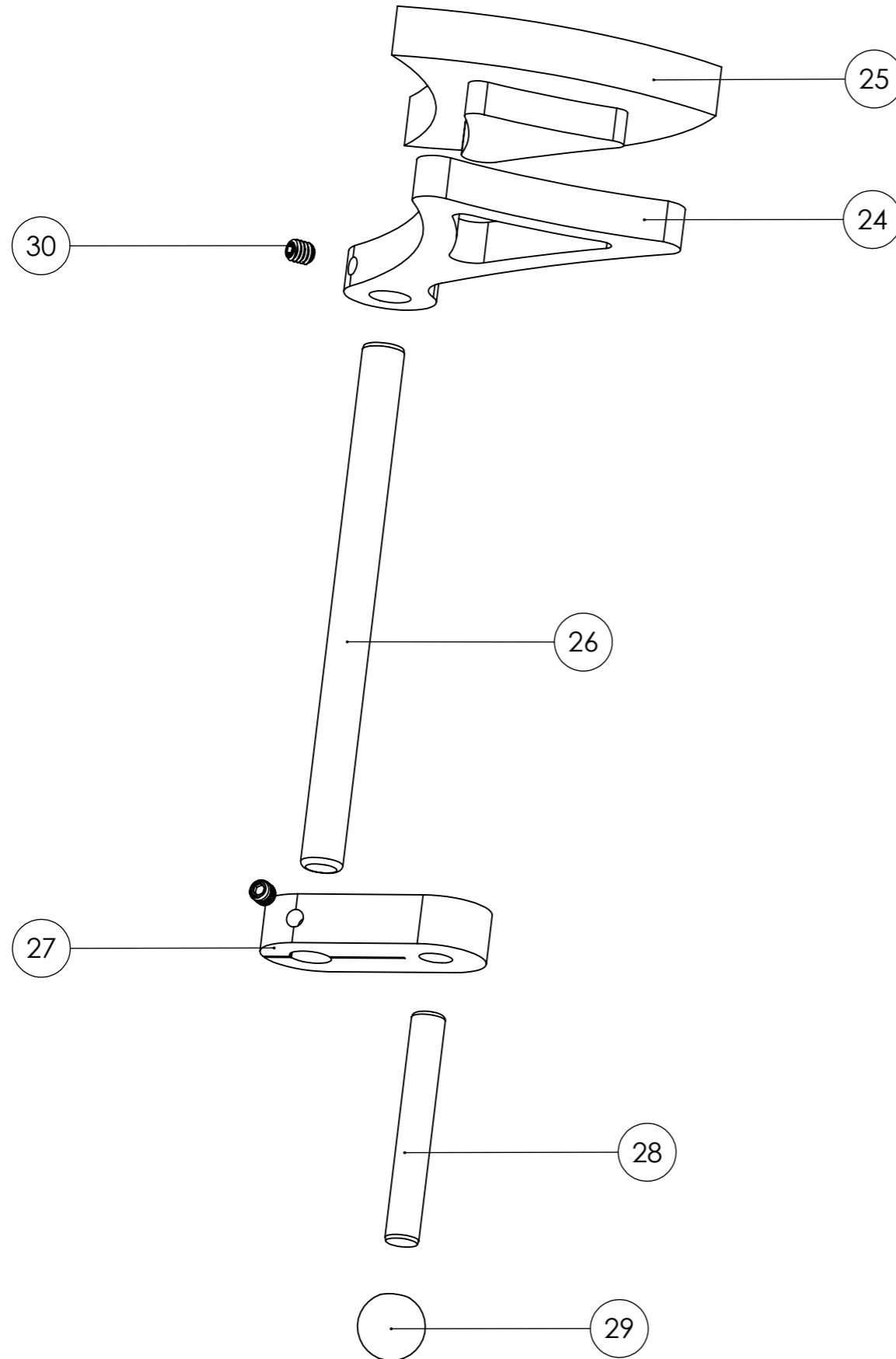


| ITEM NO. | PART NUMBER | DESCRIPTION | QTY. |
|----------|------------------|--------------------------------|------|
| 14 | Top Ring | | 1 |
| 15 | Lower Ring | | 1 |
| 16 | revised_track | | 1 |
| 17 | bowl_guide_posts | | 2 |
| 18 | 57155K357 | Stainless Steel Ball Bearing | 5 |
| 19 | Bowl_plasticpart | PLA Bowl Cam | 1 |
| 20 | bowl_woodpart | Pine Wood | 1 |
| 21 | Bowl_guide_rail | PLA Guide | 2 |
| 22 | hole_aligner | PLA Template | 1 |
| 23 | 6338K454 | 5/16in Brass Bushing, 3/4 Long | 5 |

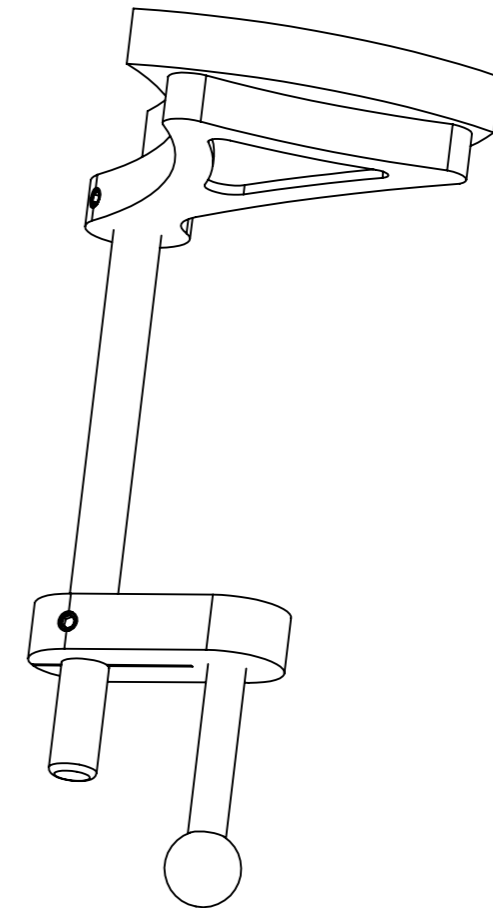


| | | | | | | | | | |
|---|--|--|--|------------------------------------|--|----------------------|--|---|--|
| UNLESS OTHERWISE SPECIFIED: DIMENSIONS ARE IN MILLIMETERS SURFACE FINISH: TOLERANCES: LINEAR: ANGULAR: | | AUTHORS: Haley Colorado, Sebastian Heredia, Celeste Magdaleno, Cate Synnott | | DEBURR AND BREAK SHARP EDGES | | DO NOT SCALE DRAWING | | REVISION | |
| DRAWN | | NAME | | SIGNATURE | | DATE | | TITLE: Cage Assembly Exploded View | |
| CHK'D | | | | | | | | | |
| APPV'D | | | | | | | | | |
| MFG | | | | | | | | | |
| Q.A | | | | | | | | DWG NO. | |
| | | | | | | | | A3 | |
| | | | | | | | | SCALE:1:5 | |
| | | | | | | | | SHEET 1 OF 1 | |

NOTE: Set screws used in the design are both 8-32, 3/16" Long.



| ITEM NO. | PART NUMBER | DESCRIPTION | QTY. |
|----------|--------------------|--------------------------------|------|
| 24 | Petal Support | | 1 |
| 25 | Petal | | 1 |
| 26 | 98381A599 | 5/16in Steel Shaft, 4in Long | 1 |
| 27 | Leaf Bearing Guide | PARTDESCRIPTION | 1 |
| 28 | 98381A548 | 1/4in Steel Dowel, 1.75in Long | 1 |
| 29 | Ball | PTFE Ball, 0.5in Diameter | 1 |
| 30 | 91375A189 | 8-32 Set Screw, 3/16in Long | 2 |



| | | | | | | | | | |
|---|--|--|--|------------------------------------|--|----------------------|--|---|--|
| UNLESS OTHERWISE SPECIFIED: DIMENSIONS ARE IN MILLIMETERS SURFACE FINISH: TOLERANCES: LINEAR: ANGULAR: | | AUTHORS: Haley Colorado, Sebastian Heredia, Celeste Magdaleno, Cate Synnott | | DEBURR AND BREAK SHARP EDGES | | DO NOT SCALE DRAWING | | REVISION | |
| DRAWN | | NAME | | SIGNATURE | | DATE | | TITLE: Petal Assembly Exploded View | |
| CHK'D | | | | | | | | | |
| APPV'D | | | | | | | | | |
| MFG | | | | | | | | | |
| Q.A | | | | | | MATERIAL: | | DWG NO. | |
| | | | | | | WEIGHT: | | SCALE:1:5 | |
| | | | | | | | | SHEET 1 OF 1 | |
| | | | | | | | | A3 | |